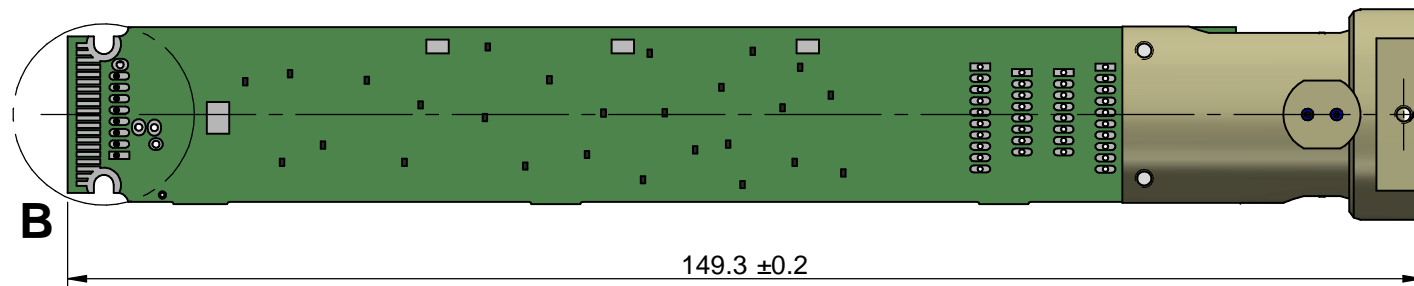
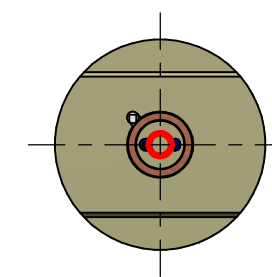
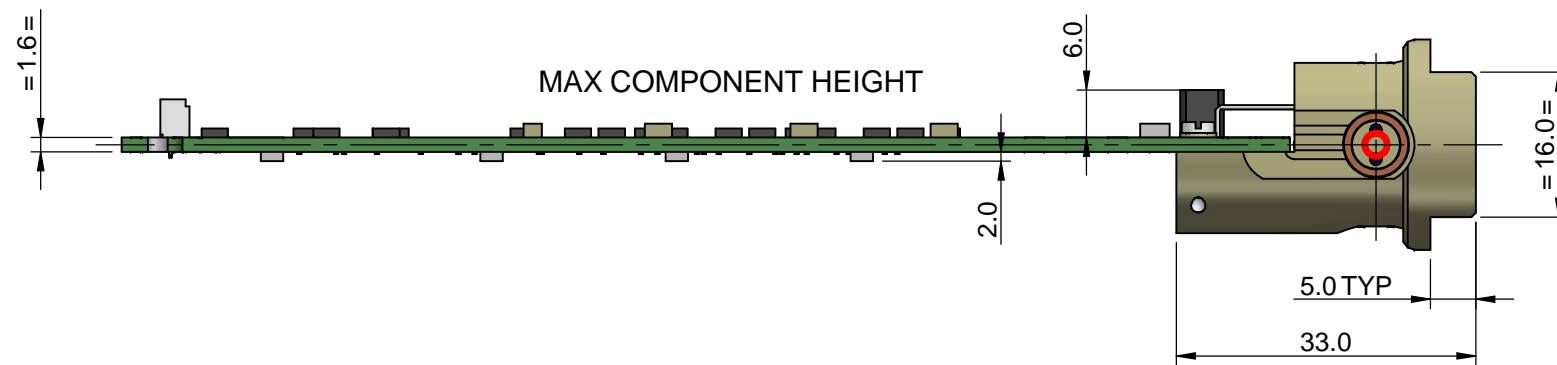
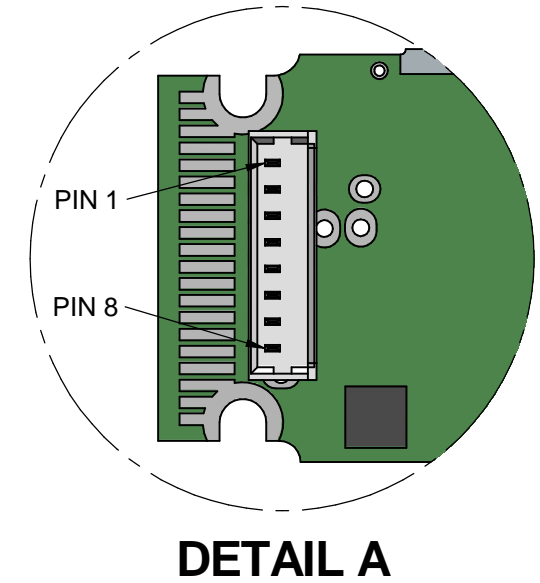
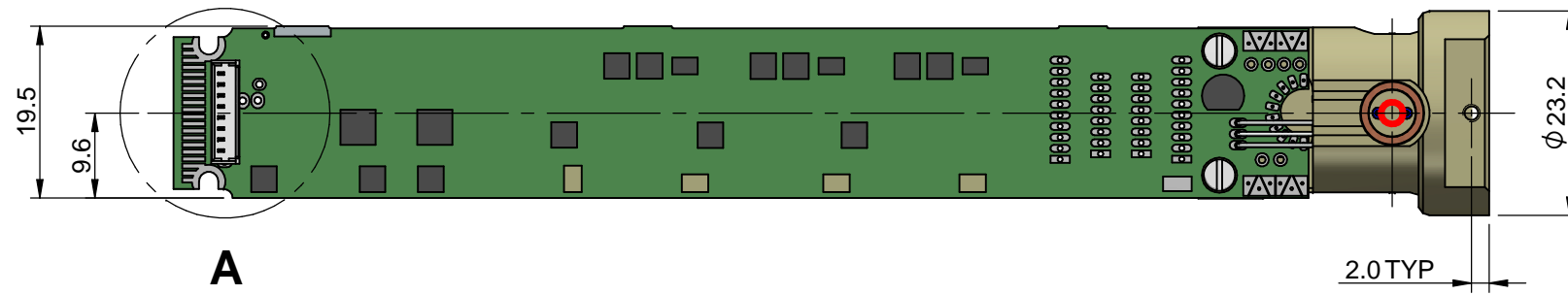


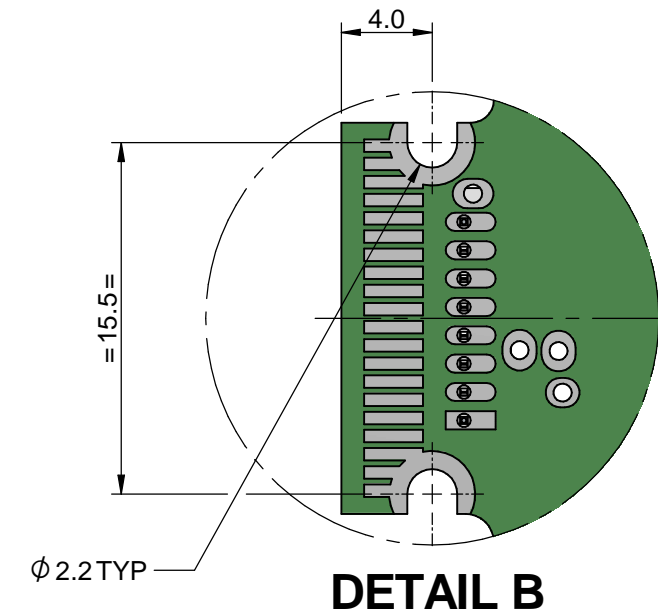
COMPONENTS SHOWN FOR REFERENCE ONLY
COMPONENT LOCATIONS MAY DIFFER ON PRODUCT RECEIVED



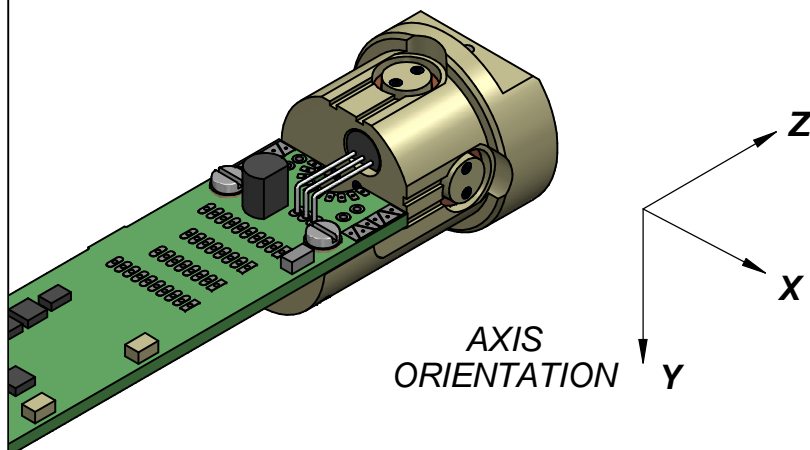
2 HOLES M2 TAPPED
MAX USABLE DEPTH = 4mm
SAME BOTH SIDES

MOLEX 53047-0810

PIN No.	FUNCTION
1	V+
2	V-
3	PGND
4	SGND
5	X+
6	Y+
7	Z+
8	TEST



DO NOT CONNECT
TO UNUSED PADS/HOLES
INTERNAL USE ONLY



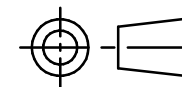
○ - CENTER OF SENSING ELEMENTS



THIS DOCUMENT AND THE INFORMATION CONTAINED IN IT IS COMMERCIAL IN CONFIDENCE AND © BARTINGTON INSTRUMENTS LTD AND/OR ITS LICENSORS. NEITHER MAY BE REPRODUCED, COPIED OR TRANSMITTED TO ANY THIRD PARTY, IN EACH CASE IN ANY MEDIUM, WITHOUT THE PRIOR WRITTEN PERMISSION OF BARTINGTON INSTRUMENTS LTD.

DIMENSIONS ARE IN MILLIMETERS

THIRD ANGLE PROJECTION



UNTOLERANCED DIMENSIONS

LINEAR:	ANGULAR:
XX ±0.3mm	XX ±0.5°
XX.X ±0.1mm	XX.X ±0.1°
XX.XX ±0.05mm	XX.XX ±0.05°

TITLE

**Mag-13U
Outline Drawing**

TECHNICAL INFORMATION No.	TI3233
OPERATION MANUAL No.	OM3143
DATASHEET No.	DS3143

PROJECT No

D1309

DRAWN	<i>Nicholas Avery</i>	12/10/2016
MODIFIED	<i>Daniel Cetnik</i>	20/12/2018
MECH' CHECK	<i>Nicholas Avery</i>	20/12/2018
ELEC' CHECK	<i>Nicholas Avery</i>	20/12/2018
DRAWING No	DR3399	ISSUE 3 SEE DCN NUMBER FOR DESIGN CHANGE HISTORY