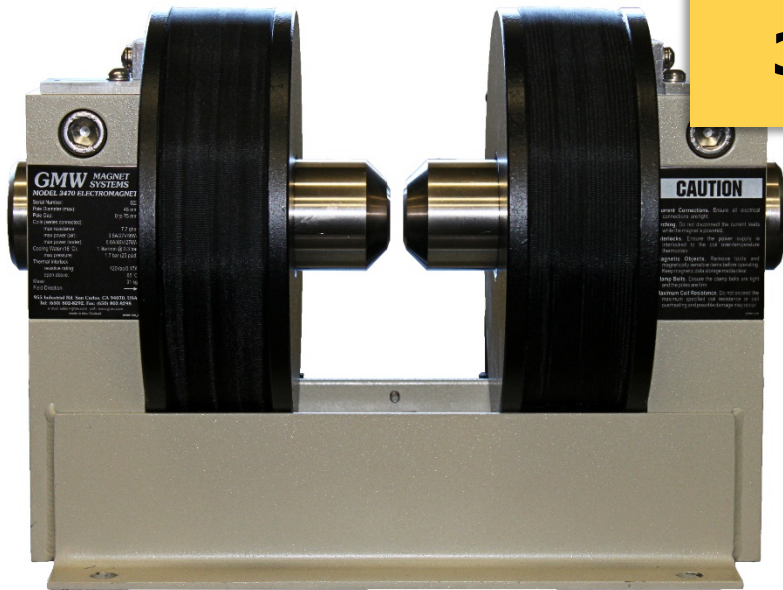


3470 Electromagnet



Features

- Small Size
- Reversible Plane or Tapered Poles
- Adjustable Pole Gap
- Air or Water Cooled
- Adjustable Coil Spacing
- Bench or Wall Mounting
- Optional 50mm Square Poles

Applications

- Hall Effect Studies
- Magneto-Optical Studies
- Laboratory Experiments
- Magnetic Separation Experiments
- Magnetic Alignment of Small Components
- Chemical Reaction Rate Studies

OVERVIEW

The **3470 Electromagnet** is the smallest and lightest standard dipole electromagnet available from GMW. It is used in a wide range of teaching, research and industrial applications where a relatively small volume of field is required. The light weight allows it to be used on optical tables and the simple poles enable axial entry & exit holes to be matched to the optical geometry.

Revised March 26, 2020

GMW Associates

🌐 www.gmw.com

✉ sales@gmw.com

☎ +1-650-802-8292

📍 955 Industrial Road
San Carlos, California, USA

Model 3470 General Specifications

Mechanical

Pole Diameter	45mm. Reversible, with pole face diameters of 5mm, 20mm and 40mm
Pole Gap	0 to 75mm
Coil Spacing	35 to 75mm
Dimensions	377mm W x 233mm D x 217mm H
Weight	31.29kg

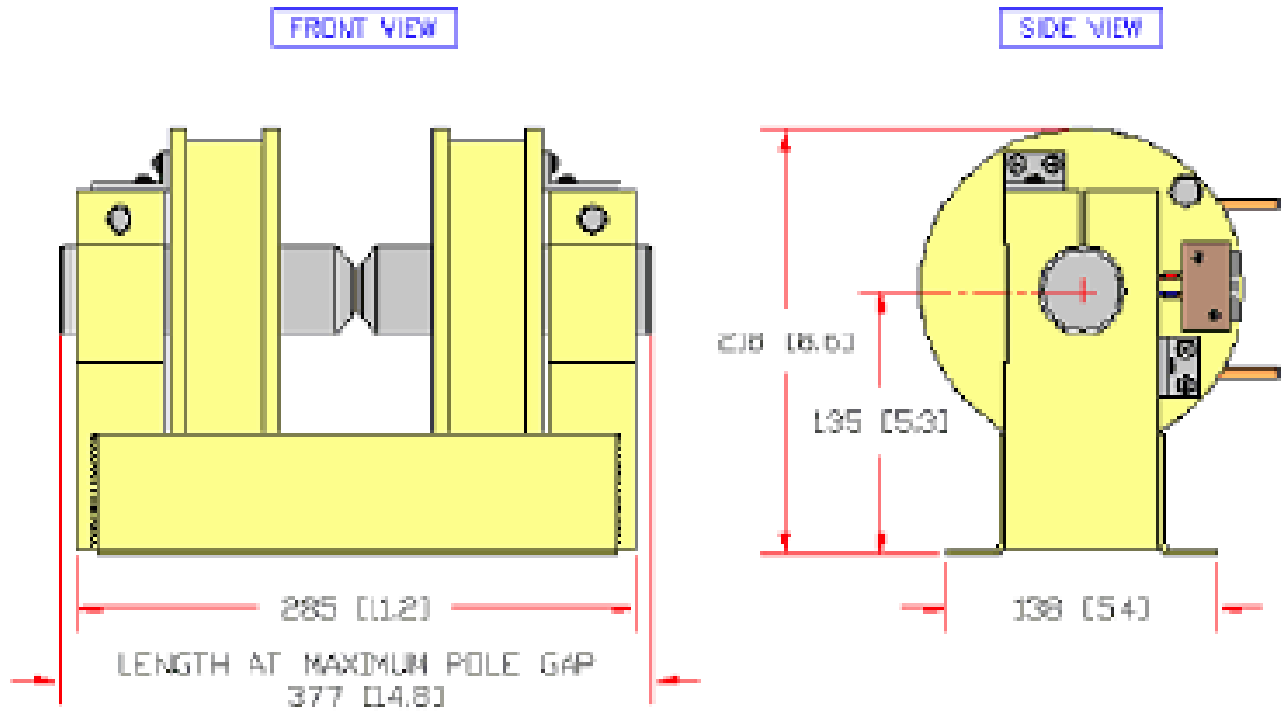
Coils (series connected)

Resistance (20°C)	7.3Ω
Max Resistance	8.8Ω
Max Continuous Power (air)	3.5A, 31V (0.11kW)
Max Peak Power (air)	6A, 44V (0.221kW), cycled 2min max on, 4min off
Max Continuous Power (water)	6.0A, 44V (0.22kW)
Max Peak Power (water)	7A, 62V (0.43kW), cycled 1min max on, 2min off
Low Current Inductance	1.52H
High Current Inductance	0.87H
Water Cooling	1liters/min, 0.3bar (0.26US GPM, 5psid)

Safety

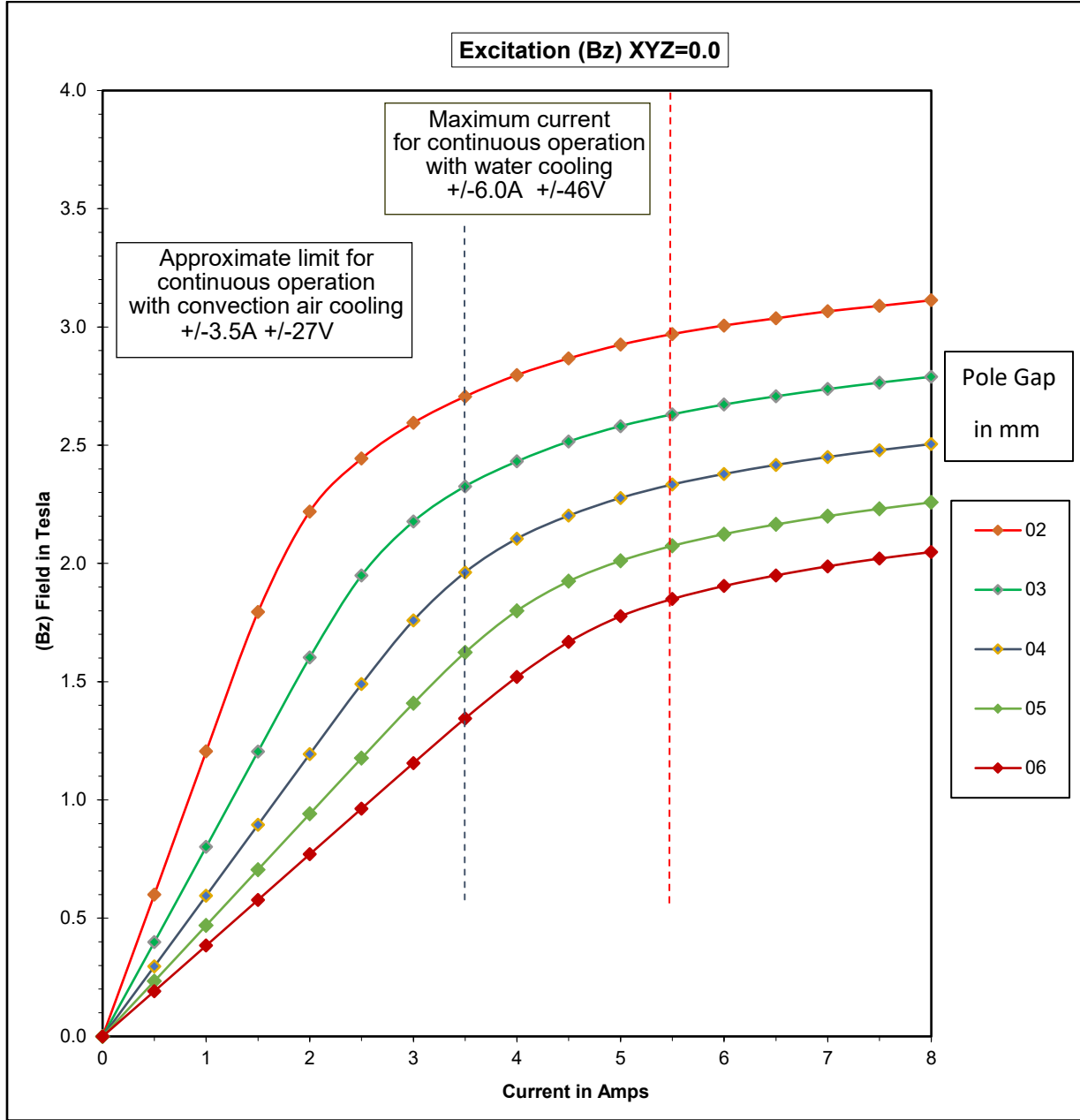
Overtemperature Interlock	Selco 802L-065 thermostat, mounted onto each cooling plate, wired in series. Contacts below 65°C
---------------------------	--------------------------------------------------------------------------------------------------

General Assembly

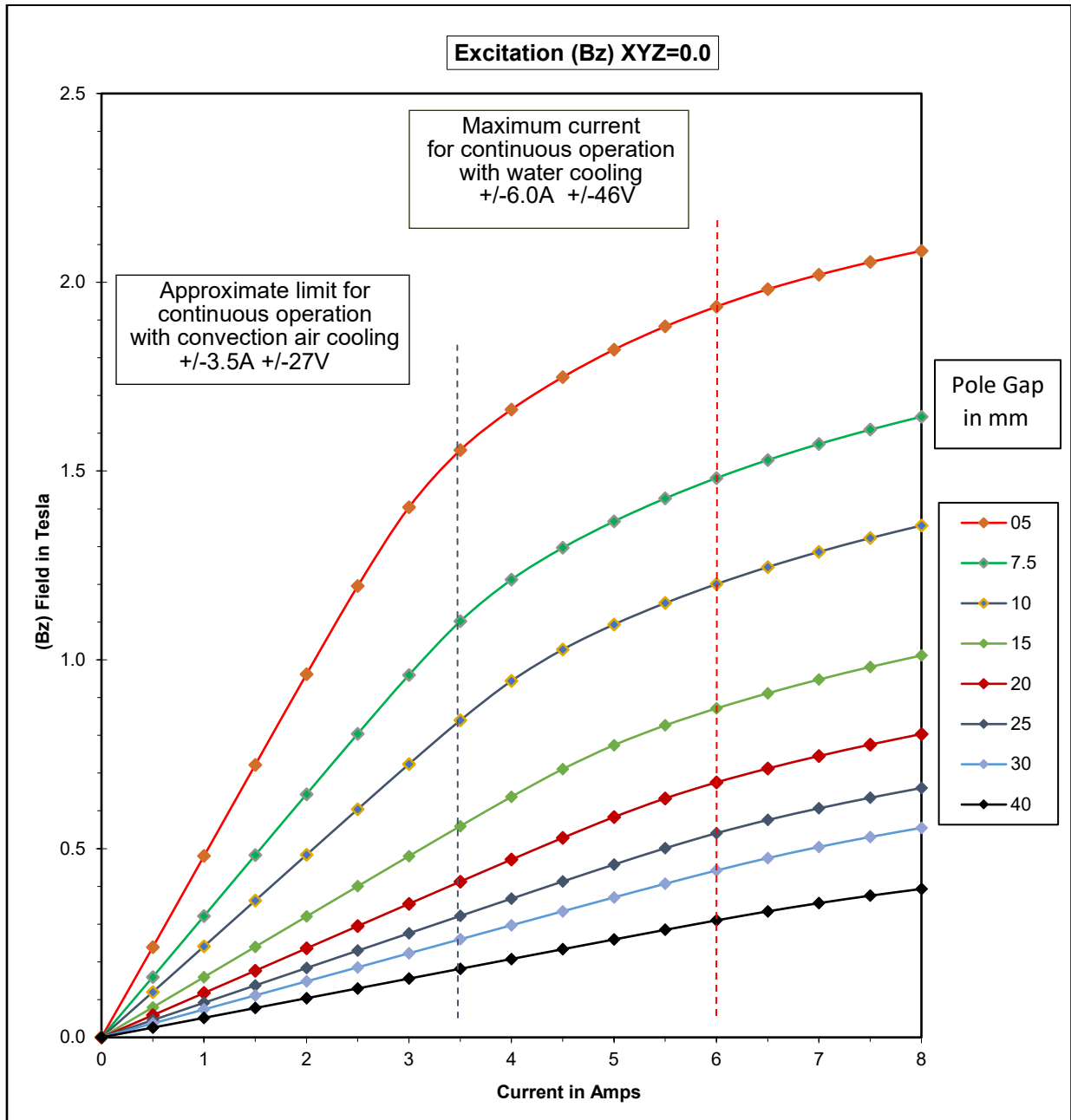


Performance

5mm pole face diameter



20mm pole face diameter



40mm pole face diameter

