

# Gladius G0830

## 8" Tablet POS with Intel® Atom™ Quad-Core Processor



### System

CPU	Intel® Atom™ x5-Z8350 Processor (2M Cache, up to 1.84 GHz)
Graphic	Intel® HD Graphic Chipset
OS	Android™ v5.X & Windows 10
Memory	Built-in 2GB DDR3L-1600
Storage	Built-in 64GB eMMC
	1 x integrated microphone
Audio	2 x 0.5W integrated stereo speaker 1 x 3.5mm headphone jack

### Peripherals and Devices

Camera	Front: 2.0 MP camera with fixed focus Rear: 8.0 MP AF camera with auto focus
Sensor	Gyroscope, eCompass, light sensor
WLAN	Integrated IEEE 802.11 a/b/g/n/ac
Bluetooth	Bluetooth® 4.1
Barcode Scanner	1D/2D barcode scanner with physical trigger buttons on right & left sides
NFC	ISO 14443A/B, ISO 15693 (on back side)

### LCD Display

Size/Type	8" IPS LED display
Resolution	1024 x 768 (XGA)
Luminance	300 cd/m <sup>2</sup> (typ.)
Contrast Ratio	800 : 1
View Angle (U/D/R/L)	89°/89°/89°/89°

### Touch Screen

Type	10-point Projected Capacitive Touch w/ Corning® Gorilla® Glass
Light Transparency	85% ± 5% (typ.)
Controller Interface	I2C interface

### Tablet PC I/O Interface

USB Port	1 x Micro USB 2.0 port (OTG support)
SD Slot	1 x microSD card slot

### Features

- Ideal for warehousing / retail / mPOS applications
- 8" TFT color LCD 1024 x 768 XGA resolution
- IPS LED display with projected capacitive multi-touch panel
- High mobility with connectivities including WLAN and Bluetooth
- Expansion for storage via microSD slot
- Identification devices (barcode scanner, RFID & NFC reader and MSR)

### Tablet Battery Consumption

Operating Mode	3.5 hours (continuously playing YouTube video)
Standby Mode	29~33 hours

### Cradle I/O Interface

USB Port	3 x USB 2.0 ports (supports USB 3.0 900mA current)
HDMI	1 x HDMI port (supports high resolution up to 2K)
LAN	1 x RJ-45 GbE LAN port
Power	1 x DC Jack
Docking	Guide pin for fixing
NFC	ISO 14443A/B, ISO15693 (on back side) (optional)
MSR	Encryption feature & ISO7811 compliant
Smart Card Reader	1 x chipset card reader slot

### Power Supply

Battery Type	Lithium-ion rechargeable battery
Battery Capacity	3.8V, 4000mAh
Power Adapter	For tablet: AC100~240V, 50~60 Hz, 5V/10W For cradle: AC100~240V, 50~60 Hz, 12V/60W

### Mechanical & Environmental

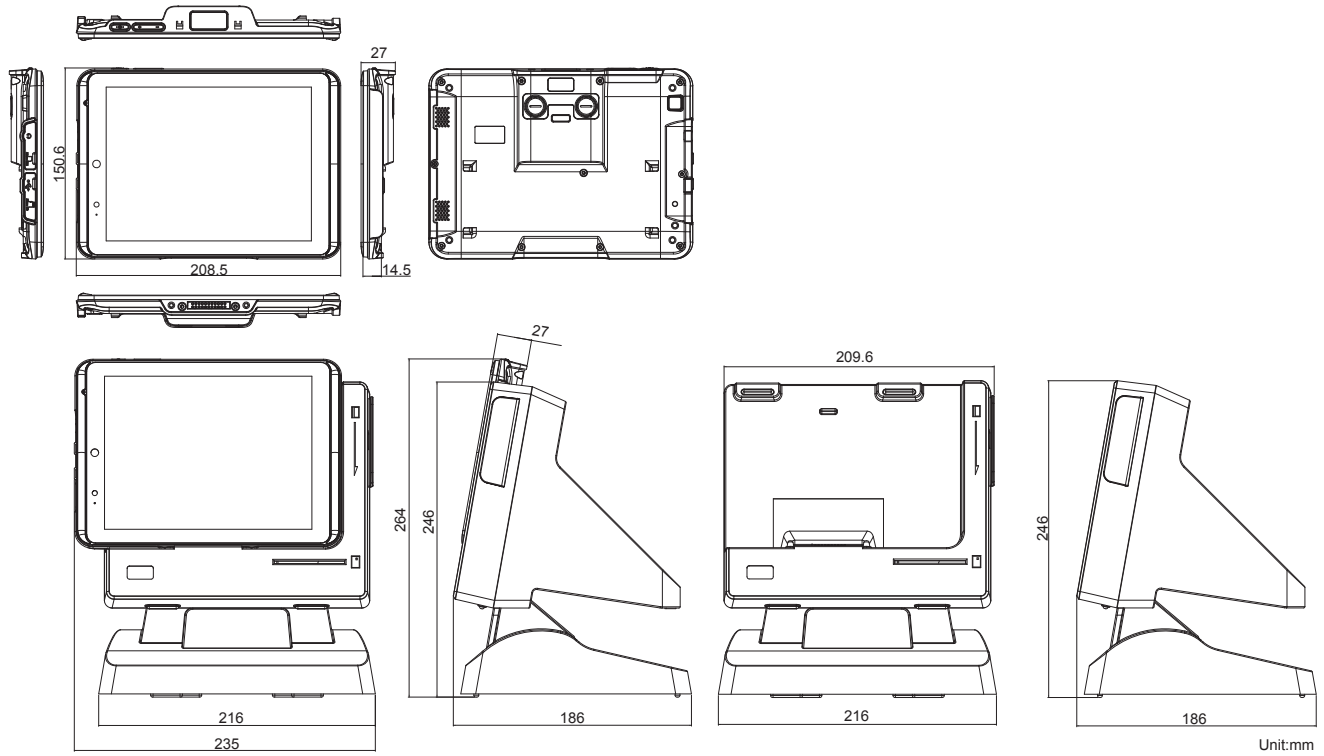
Operating Temp.	-10°C ~ 45°C (14°F ~ 113°F)
Storage Temp.	-20°C ~ 60°C (-4°F ~ 140°F)
Charging Temp.	0°C ~ 40°C (32°F ~ 104°F)
Dimensions (W x H x D)	Tablet PC: 208.5 x 150.6 x 27 mm (8.21" x 5.93" x 1.63") With cradle & docking: 235 x 264 x 186 mm (9.25" x 10.39" x 7.32")
Weight	Tablet: 520g (1.15lb) (with battery) Cradle & docking: 2.54kg (5.60lb)
IP Rating	IP54
Drop Resistance	1.2m (4ft.)
Regulatory	CE, FCC Class B, KC

### Ordering Information

G0830A	8" fanless Intel® Atom™ x5-Z8350 tablet PC with 2GB Memory, 64GB eMMC, NFC, Wi-Fi/BT, Android 5.1
G0830W	8" fanless Intel® Atom™ x5-Z8350 tablet PC with 2GB Memory, 64GB eMMC, NFC, Wi-Fi/BT, Win 10 IoT Enterprise



## Dimensions



### Standard Accessories

Universal power adapter, 5V / 10W (for tablet)



Universal power adapter, 12V / 60W (for cradle)



### Optional Accessories

Desktop cradle & docking



Hand strap



Pistol grip w/ 8000mAh power bank and power status LED



Pistol grip



Rope Stylus Pen



K-Lock

