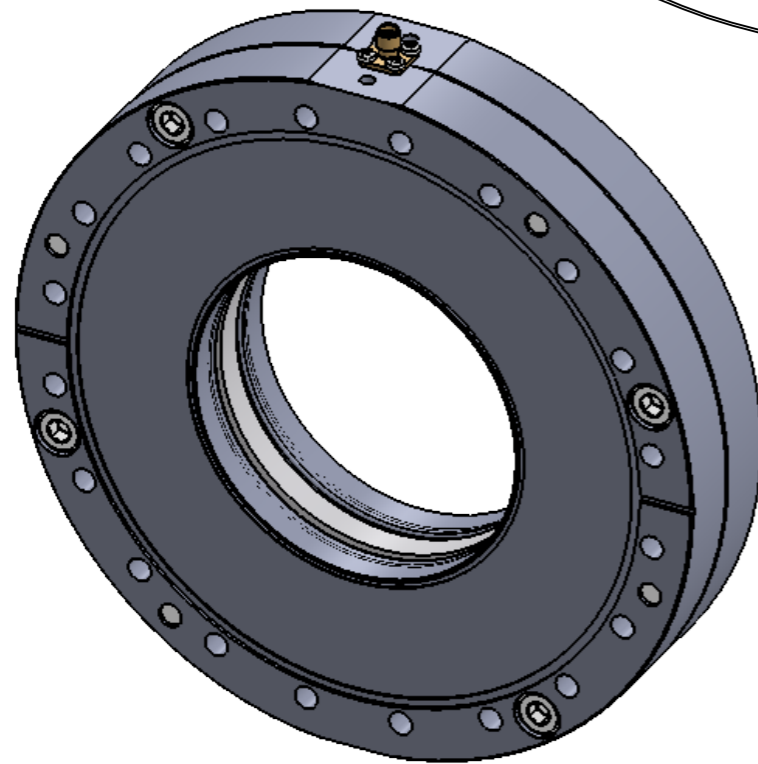
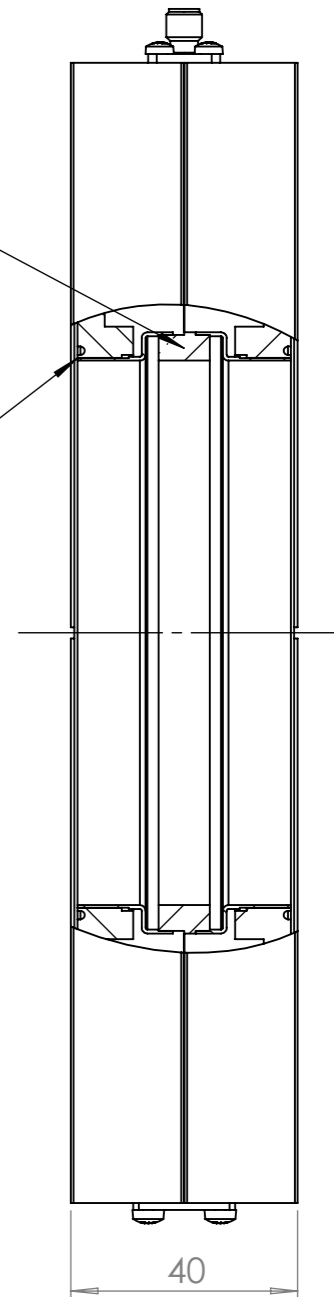




Ceramic brazed to kovar

TIG welding



1.0		24/05/2016	Drawing publishing		
EDITING:	DATE:			MODIFICATIONS	
DRAWN	J. Cousin	MATERIAL :	SS 304	Reference	
VERIFIED		(SS 316 LN on option)		FCT-CF8"-96.0-40-UHV	
 INSTRUMENTATION		 Unless otherwise specified: Dimensions are in millimeters General tolerances: $\pm 0.1$ Angles: Ra: 3.2		A3	
				SCALE: 3:4	
156 rue du Mont Rond - Espace Allondon Ouest - 01630 Saint-Genis Pouilly - TEL: 04 50 42 66 42 - FAX: 04 50 42 66 43 - info@bergoz.com					PAGE 1 ON 1