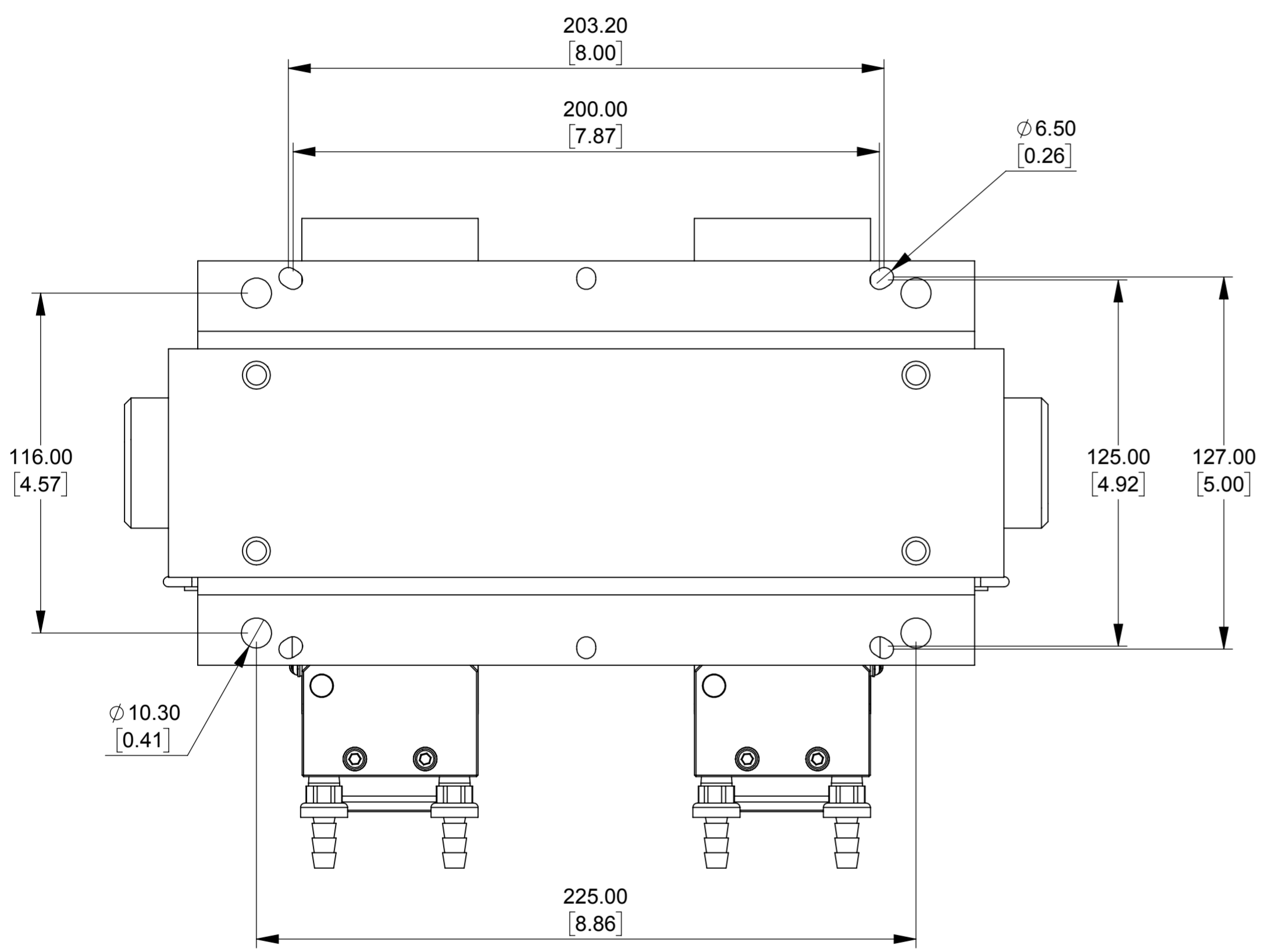


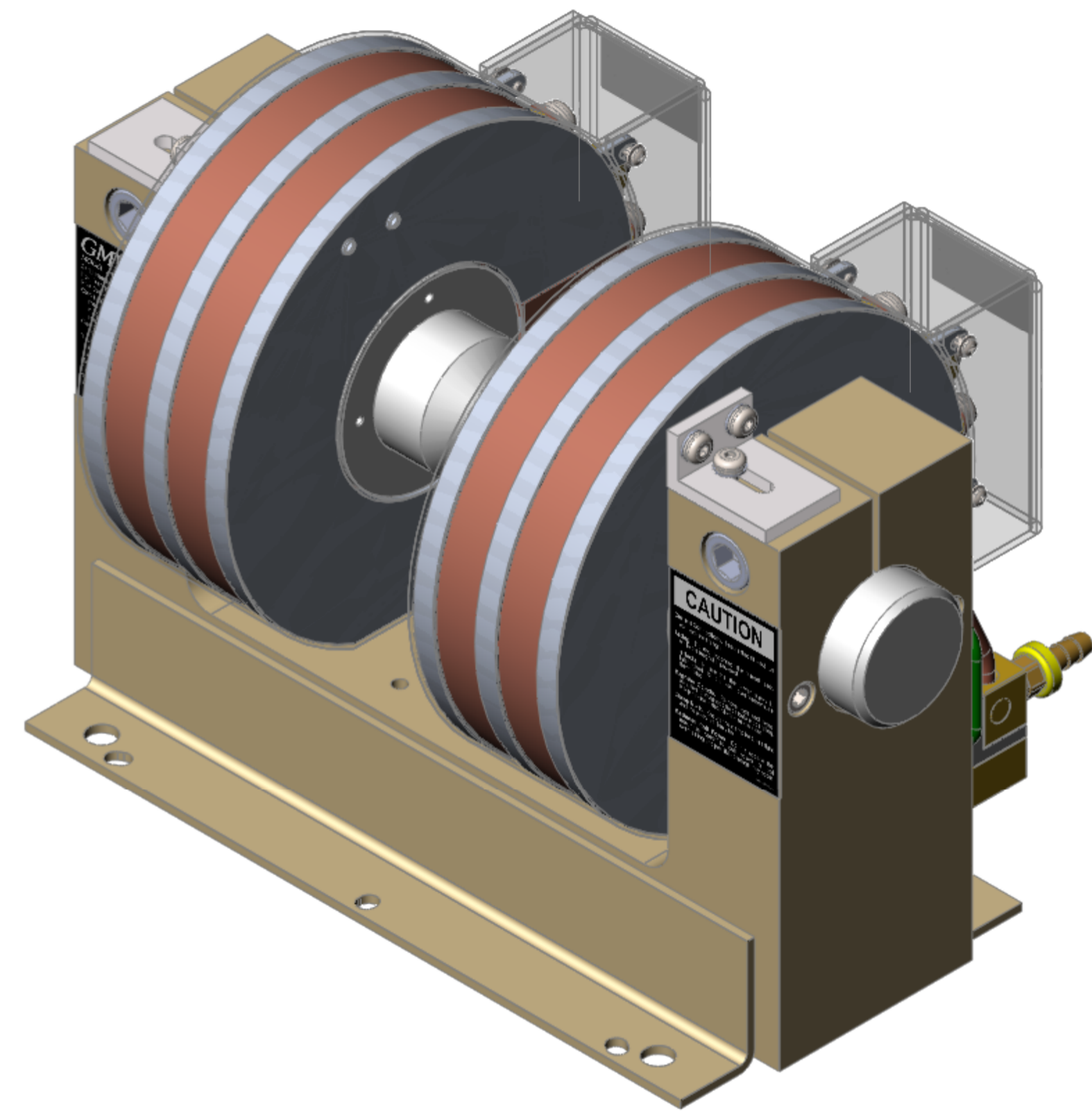
PROPRIETARY
 THIS DRAWING CONTAINS CONFIDENTIAL INFORMATION PROPRIETARY TO GMW INC. IT MUST NOT BE REPRODUCED OR DISCLOSED TO OTHERS OR USED IN ANY WAY, IN WHOLE OR IN PART EXCEPT AS AUTHORIZED IN WRITING BY GMW INC.

REVISION HISTORY			
REV.	DESCRIPTION	DATE	APPROVED
A	Release	19 Jul, 2016	T. King
B	Note 2, delete items, renumber, change revisions, add ground lead	1 Feb, 2017	T. King
C	Updates to yoke and coils.	19 Sept, 2017	T. King

BOTTOM VIEW



ISOMETRIC VIEW



DRAWN M. Duffy	DATE 18 Jul, 2016	DO NOT SCALE FROM DRAWING DIMENSIONS & TOLERANCES UNLESS OTHERWISE NOTED LINEAR INCHES / mm X.XXX ±0.005 / ±0.03 X.XX ±0.01 / ±0.1 X.X ±0.03 / ±0.3 X ±0.06 / ±1 DEG. ±0.5 / ±0.5 FINISH 63 / 1.6 THIRD ANGLE PROJECTION	GMW Associates 955 Industrial Road, San Carlos, CA 94070 Tel: (650) 802-8292. Fax: (650) 802-8298	
CHECKED T. King	DATE 18 Jan, 2017		TITLE: 3480 General Assembly	
ENGINEERING	DATE		SIZE DWG NO. A2 11907-0355-0	REV. C
		SCALE: 1:1.5 MASS: 33.88 kg SHEET: 3 OF 4		