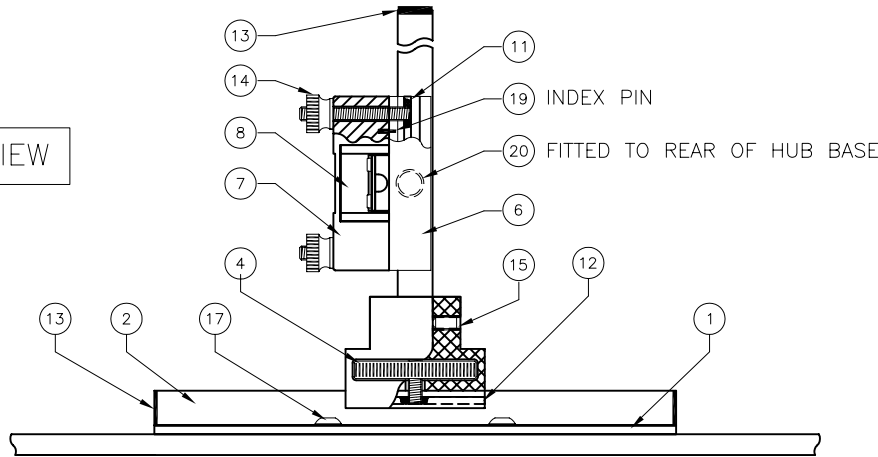


PROPRIETARY
THIS DRAWING CONTAINS CONFIDENTIAL INFORMATION PROPRIETARY TO GMW INC. IT MUST NOT BE REPRODUCED OR DISCLOSED TO OTHERS OR USED IN ANY OTHER WAY, IN WHOLE OR IN PART EXCEPT AS AUTHORIZED IN WRITING BY GMW INC.

REAR VIEW

SIDE VIEW



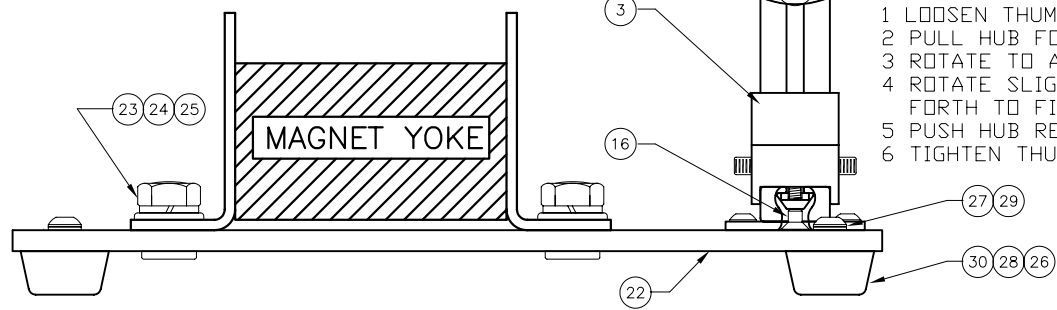
MPT HALL PROBE
SEPERATE ORDER ITEM

MPT PROBEHOLDER
SEPERATE ORDER ITEM

HUB ANGLE ADJUSTABLE
IN 15° INCREMENTS
FROM -45° TO +45°

TO SET HUB TO DESIRED ANGLE
1 LOOSEN THUMB NUT 2mm
2 PULL HUB FORWARD 2mm
3 ROTATE TO ANGLE REQUIRED
4 ROTATE SLIGHTLY BACK AND
FORTH TO FIND INDEX PIN
5 PUSH HUB REARWARDS
6 TIGHTEN THUMB NUTS

MAGNET YOKE



REVISIONS

REV	DESCRIPTION	DRAFT	DATE	APPROVED
A	RELEASE		09/16/98	G.DOUGLAS

30	4	REC-2197S	FOOT, RUBBER, RUSSELL-INDUSTRIES	
29	4	ISO 7380	SHCS M5 X 12 BUTTON HD S/S	
28	4	DIN 934	NUT, HEX M5 S/S	
27	4	DIN 433	WASHER, M5 X 1 FLAT S/S	
26	4	DIN 6797	WASHER, M5 INTERNAL LOCK S/S	
25	4	DIN 7890	WASHER, M10 SPRING S/S	
24	4	DIN 433	WASHER, M10 FLAT S/S	
23	4	DIN 934	NUT, M10 HEX S/S	
22	1	17903010	MAGNET MOUNTING PLATE	
21	1	10900320	LABEL, IDENTIFICATION	
20	1	SBMH8	BALL PLUNGER, M8 S/S VLIER	
19	2	VSM 12771B	DOWEL PIN M1 X 5 S/S [Index Pin]	
18	1	BN 1073	SET SCREW, M6 X 5 SLOTTED HD NYLON	
17	4	ISO 7380	SHCS M4 X 8 BUTTON HD S/S	
16	5	DIN 7991	SHCS, M4 X 6 FLAT HEAD S/S	
15	2	DIN 917	SHSS M4 X 8 CONE POINT S/S	
14	2	O8M040070TN	THUMB NUT, NYLON	
13	3	18-830	ITEM PRODUCTS, END CAP, PLASTIC	
12	1	17902010	BASE STUD	
11	1	17902000	HUB STUD	
10	1	17901990	HUB INSERT [For Sentron Hall Probes]	
9	1	17901980	HUB INSERT [For Metrolab NMR probes]	
8	1	17901970	HUB INSERT [for Grp3 MPT Hall Probes]	
7	1	17901960	HUB COVER	
6	1	17901950	HUB BASE	
5	1	17901943	VERTICAL MOUNTING EXTRUSION [200mm long]	
4	1	17901930	BASE NUT	
3	1	17901920	BASE SUPPORT	
2	1	17902090	BASE MOUNTING EXTRUSION	
1	1	17902080	BASE MOUNTING PLATE	

ITEM	QTY	PART NUMBER	DESCRIPTION	NOTE
PARTS LIST				
DO NOT SCALE FROM DRAWING DIMENSIONS & TOLERANCES (UNLESS OTHERWISE SPECIFIED)				
GMW 955 Industrial Rd, San Carlos, CA 94070 Tel: (650)802-8292. Fax: (650)802-8298.				
TITLE PROBE MOUNT MODEL: 3470				
DRAWN G.DOUGLAS DATE 09/16/98				
CHECK DATE				
ENGINEERING DATE				
NEXT ASSY SYSTEM THIRD ANGLE PROJECTION				
SOFTWARE AUTOCAD 2000				
SCALE 1:1 WT kg SHEET 1 OF 1				